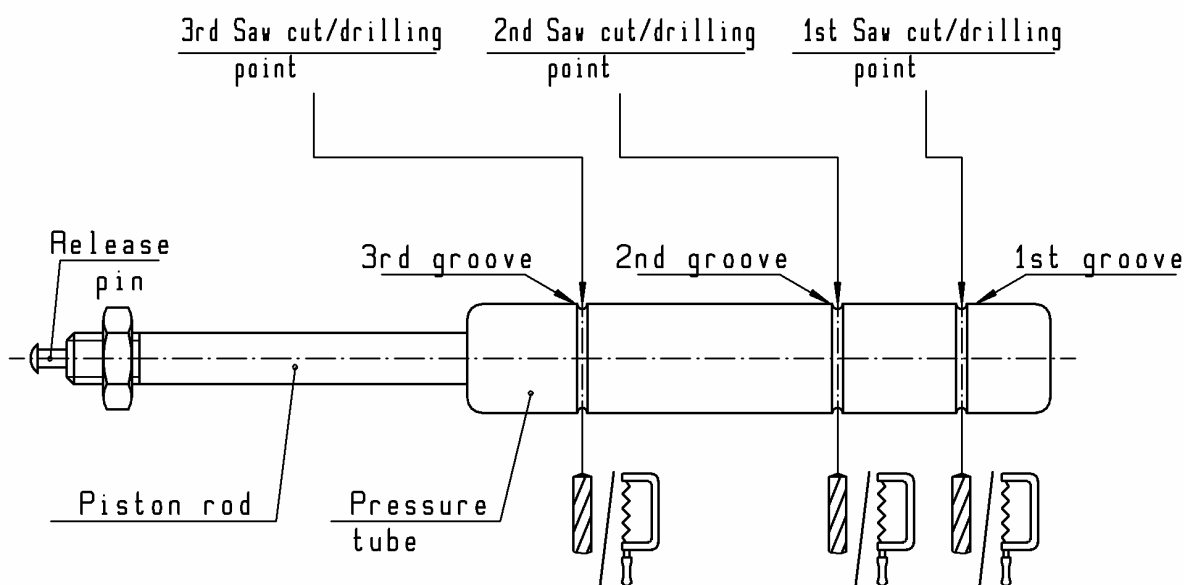


The print-out is not subject to the modification service.

## Disassembly and pressure discharge of STABILUS products prior to disposal

Document No.  
STAB-Spec. 10009375  
Page 15  
Ident. Doc.:SN 03.10-00/13

### 2.9 Model : HYDRO-BLOC



Saw cut/drilling point: Saw or drill the pressure tube in the first, second and third groove.

Intended for internal and external use

**EN**

DE: X | EN: X | ES: X | IT: X | PR: X | FR: X  
Preceding edition: 11.11.1993

**Rev.: 10**