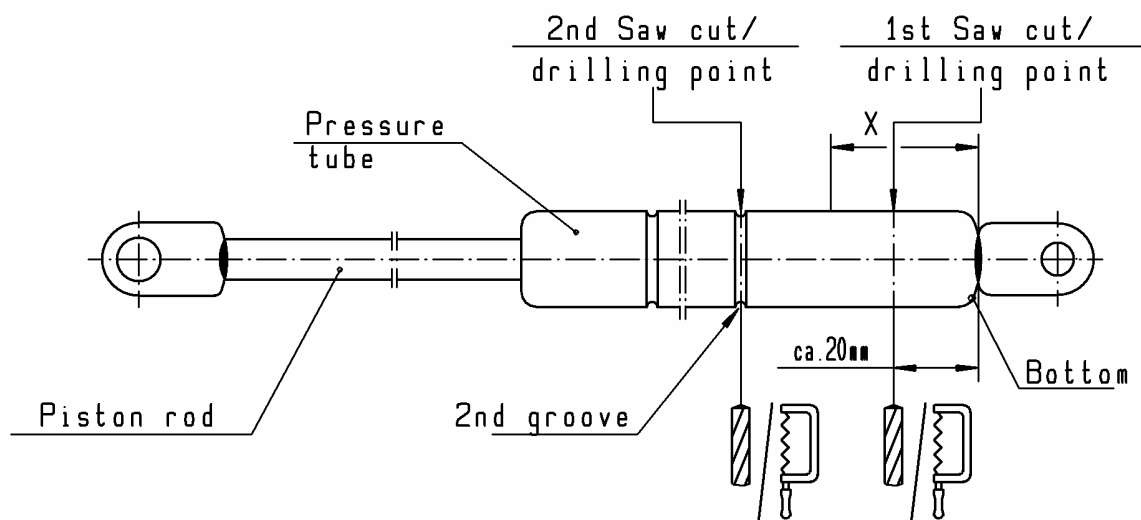


The print-out is not subject to the modification service.

Disassembly and pressure discharge of STABILUS products prior to disposal

Document No.
STAB-Spec. 10009375
Page 16
Ident. Doc.:SN 03.10-00/13

2.10 Model : HYDRO-LIFT



1st Saw cut/drilling point: Saw or drill the pressure tube open about 20 mm from the bottom.

2nd Saw cut/drilling point: Saw or drill the pressure tube open in the second groove as seen from the piston rod end.

Intended for internal and external use

EN

DE: X | EN: X | ES: X | IT: X | PR: X | FR: X
Preceding edition: 11.11.1993

Rev.: 10