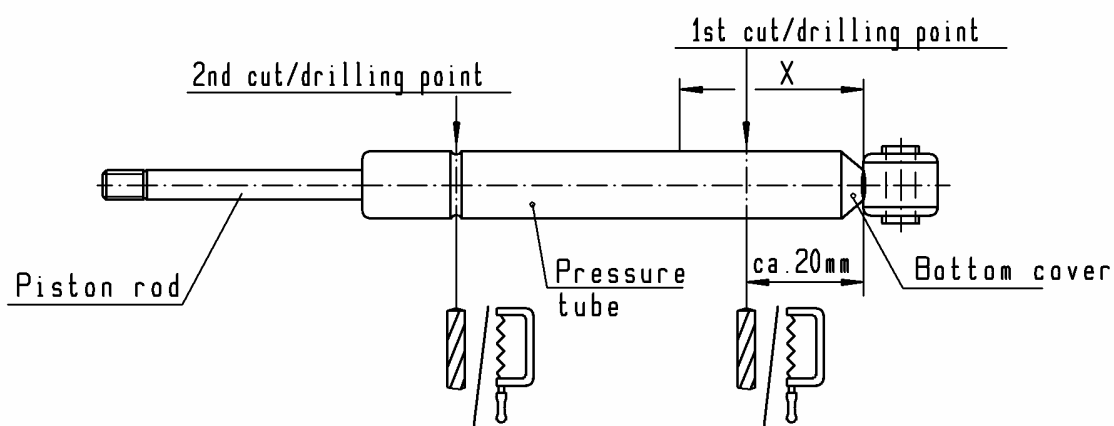


Disassembly and pressure discharge of STABILUS products prior to disposal

The print-out is not subject to the modification service.

2.5 Model : I Damper
 II Damper Telescopic leg

I Damper



First saw cut/drilling point : Saw or drill the pressure tube open about 20 mm from bottom.

Second saw cut/drilling point : Saw or drill the pressure tube open in the groove.

II Damper telescopic leg : see point 2.2

Intended for internal and external use

EN

DE: X | EN: X | ES: X | IT: X | PR: X | FR: X
 Preceding edition: 11.11.1993

Rev.: 10