

Gas Springs and Dampers

for applications in automotive engineering



STABILUS – A company with an innovative tradition

Pioneer Performance

In 1962, STABILUS presented the world's first gas spring manufactured in series production to the swivel chair industry; in 1965, the first lockable gas spring. To date, more than 2.0 billion gas springs have been produced, giving STABILUS the longest experience world-wide in the design and manufacture of gas springs. With an annual production of more than 100 million units, STABILUS is today the world market leader for multiple industrial applications. Occupational health practitioners and swivel chair manufacturers appropriately consider STABILUS a pioneer in the development and manufacture of gas springs for ergonomic seating in the swivel chair area. The gas spring makes it possible to adjust height, seat and backrest tilt of the swivel chair quickly and easily.

Globally Active

With a global sales and service network and 10 production sites in Europe, USA, Mexico, Brazil, New Zealand, Australia and Korea STABILUS supplies and supports more than 2,400 customers world-wide.

For all business sectors

Having been successfully adopted and incorporated in the automotive and furniture industries for several decades, STABILUS gas springs have now also become an indispensable design element in countless industrial applications in the most diverse sectors.



Gas springs and dampers for applications in vehicle engineering

Compact design, high level of operating convenience and safety in use continue to expand the field of applications for STABILUS products.

e.g. Motor vehicles and superstructures ...

Gas springs and dampers facilitate the opening and adjustment of hoods, hatches and covers.

e.g. Agricultural vehicles ...

They dampen unpleasant shocks in the driver's seat caused by uneven land resulting in comfortable, relaxed and ergonomic seating.

e.g. Buses ...

They allow seats to be adjusted to the passengers' bodies, so that even long journeys become a positive experience.

e.g. Railway vehicles ...

Here, too, blocking gas springs in stepless adjustable seats ensure ergonomic seating.

Customer satisfaction

Customer service and customer satisfaction are key objectives for the company. STABILUS is known in particular for its technical innovation, quality and competitive pricing in all its business units.

Highest Quality

As the leading gas spring supplier worldwide, our quality management system fulfils without question the high quality requirements of international standards, such as DIN EN ISO 9001-2000, as well as the new world standard ISO/TS 16949-2002 with the regulatory requirements of QS 9000, VDA 6.1, EAQF, and AVSQ.

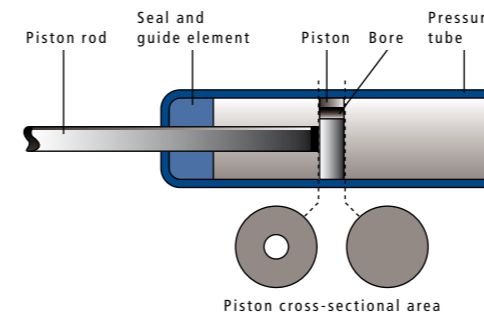
Care for the environment

STABILUS places utmost importance in achieving environmentally friendly production methods. Its success in this area is documented by the certification of its environmental management system in conformity with DIN EN ISO 14001.

Service and technical application support

STABILUS provides extensive technical, design and installation support in specific applications as a matter of course. The extensive know-how of our application consultants and technicians coupled with our highly efficient installation proposal programmes and practical arrangements, also on site, ensure optimal solutions.

Product characteristics, advantages, uses

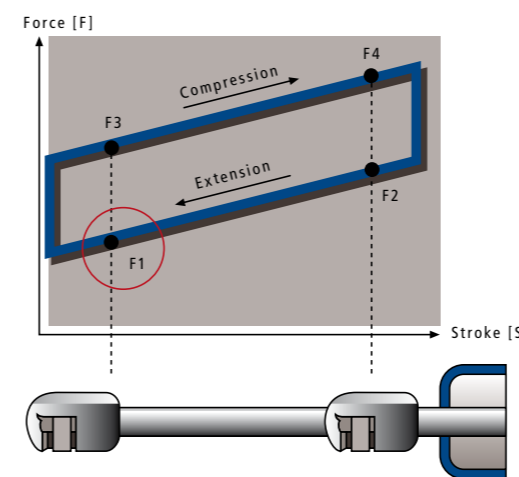


Operating principle

Operating principle of a gas spring

The gas spring is a hydropneumatic adjusting element, consisting of a pressure tube, a piston rod with piston and appropriate connection fittings. It is filled with compressed nitrogen, which acts with equal pressure on differently dimensioned cross-sectional areas of the piston. This produces a force in the extension direction. This extension force can be exactly defined within physical limits through the appropriate selection of the filling pressure.

Spring characteristic curve and F1 force



Spring characteristic curve and F1-force

The spring characteristic curve describes the gas spring progression force over the stroke, i.e. from the extended to the compressed state and vice versa.

Unlike mechanical springs, gas springs have an extremely flat, almost linear characteristic curve and therefore allow a uniform comfortable adjustment or pivoting movement. The spring rate, X , representing the force ratio $F2/F1$, lies between 1.2 and 1.4 with standard gas springs. Other values can be defined on request and according to the application. Together with the dimensions, the $F1$ force is the major descriptive feature for the choice of a gas spring and it is therefore specified in all STABILUS brochures. It defines the value of the spring force and is measured 5mm before the end of the extension movement. The difference between the force lines for the compression and extension direction, FR , is the result of friction effects.

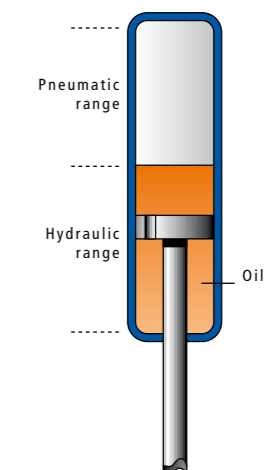
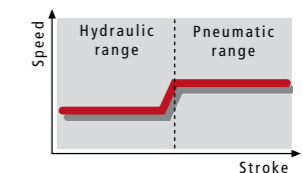
Extending speed and damping

A significant advantage of gas springs over mechanical springs is the definable speedcurve, which allows for a damped and comfortable adjusting movement. Two types of damping can be distinguished:

Hydraulic damping

The extending speed is determined both by the arrangement and the diameter of the bores in the piston and by the viscosity of the oil used. When the gas spring is installed with the piston rod facing down the extending piston first travels through the gas-filled and then

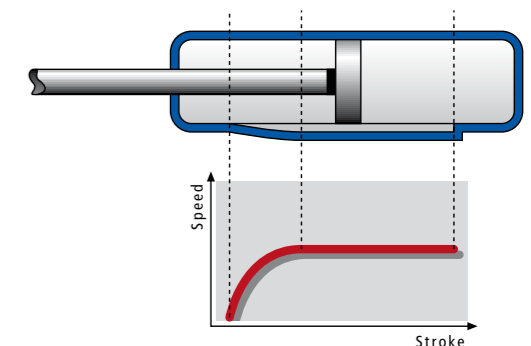
through the oil-filled part of the pressure tube. As soon as it is immersed in the oil the piston rod moves at a considerably lower speed.



Hydraulic damping

Dynamic damping

Here the bore in the piston is replaced with a longitudinal groove in the wall of the pressure tube which serves as a bypass. Its geometry and the length determine the damping curve. This technique allows position-independent damping of the gas springs.



Dynamic damping

Choice and application of gas springs

Dimensions according to choice

STABILUS offers an extremely wide range of gas spring types, which vary in respect of their external dimensions, speed curves and extension variants, and invariably meet the most stringent requirements. A large selection is included in the STABILUS standard product range and can be delivered at short notice.

Service life and maintenance

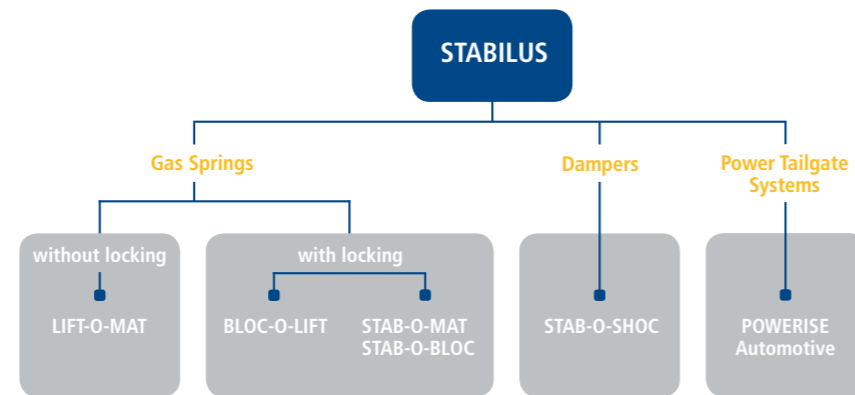
Gas springs are maintenance-free! They are designed to specific requirements and operate for years and years without failure when properly installed. Also for particularly high numbers of load alterations special sealing systems are available which allow e.g. specific gas springs in swivel chairs to withstand up to one million load cycles without damage.

Connections

Different connections are available depending on the application. STABILUS therefore offers a wide range of plastic or metal hinge eyes, including the easy-to-mount angle joint that only has to be fitted on the ball socket and allows for twist-free installation.



Small selection of available connections



Installation instructions

Twist-free connection

For maximum service life, gas springs should not be exposed to twists or lateral forces. Suitable connection fittings, e.g. angle joints, can be used for the twist-free connection of the gas springs.

Installation position

Gas springs – except those designed for position-independent installation – are preferably installed with the piston rod facing down so as to maximise the hydraulic damping effect and to ensure optimal lubrication of the guide and seal system.

Temperature behaviour

The temperature of the gaseous nitrogen inside the gas spring influences its extension behaviour within certain limits. The standard temperature range lies between -30°C und +80°C. In addition, gas springs with special sealing systems for extreme loads are available.

Operational safety

The operational safety of the gas spring is primarily achieved by seals designed to keep the gas pressure inside. For your protection, no bending loads should be exerted on the gas springs. Damage caused by subsequent mechanical operations, including welding, performed on the gas springs, as well as contamination or painting of the piston rod may lead to the failure of the devices.

Non-blocking gas springs – LIFT-O-MAT®

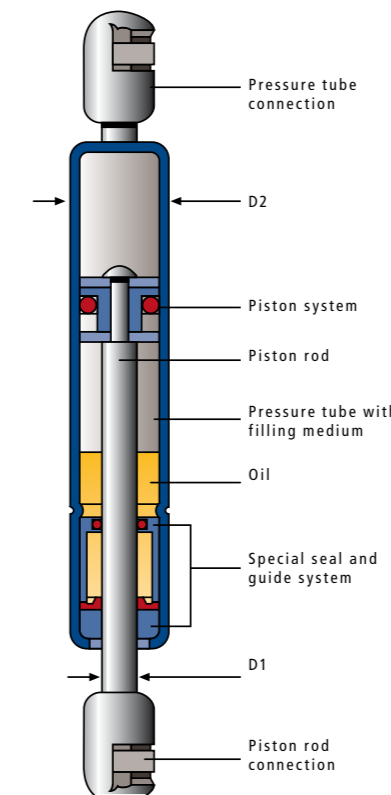


Lifting, lowering, moving and adjusting

With their accurately adjusted extension force and application-specific damping LIFT-O-MAT® gas springs offer optimum weight compensation, force support, they open and close flaps and bonnets and ensure user-friendly movement sequences thanks to their damping characteristic.

Characteristics and benefits

- ▶ Available in a variety of standard sizes and force variants
- ▶ Linear spring curve for uniform force progression over the entire spring travel
- ▶ Available with progressive or degressive spring curve for force support at stroke start or end position
- ▶ Available with dynamic or hydraulic damping according to application and fitting position
- ▶ Various connection systems for practical and swift installation



Product variants

- ▶ **Hydro-Lift®:** In addition to the LIFT-O-MAT® function, these gas springs can be positioned at any desired point
- ▶ **LIFT-O-MAT® high friction:** The increased friction of these gas springs allows for stepless positioning
- ▶ **Electro-Lift:** In addition to the gas spring function, an electric current is transmitted or even switched, e.g. for illuminating the engine compartment or bootspace
- ▶ **Inter-Stop®:** The stroke is divided into a number of functional areas to allow manual positioning of the application, e.g. a flap

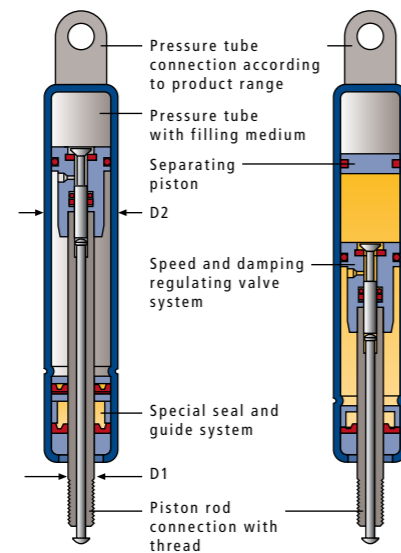
Standard Series Program			
Piston rod diameter D1 (mm)	Pressure tube outside diameter D2 (mm)	Extension force (N)	Max. stroke (mm)
6	15	50 - 400	150
8	19	100 - 800	250
10	22	150 - 1150	400
14	28	500 - 2100	500
20	42	2400 - 5200	500

Blocking gas springs – BLOC-O-LIFT®



Variable positioning, rigid or spring blocking

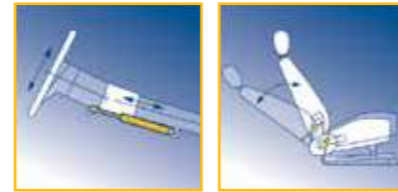
BLOC-O-LIFT® gas springs raise loads with an accurately tuned extension force and application-specific dampening while ensuring user-friendly movement sequences. In addition, BLOC-O-LIFT® gas springs can be blocked in any position, with springing or rigid blocking in the extension or compression direction depending on the design. Variable blocking is made possible by integrating the valve into the piston, which separates both pressure chambers gastight. When the valve is closed, thereby interrupting the gas exchange between both pressure chambers, the BLOC-O-LIFT® gas spring is blocked. The valve closes automatically when the valve tap-pet is released externally. The springing blocking variant is ideal for the smooth dampening of e.g. shocks, impacts or pulse-type peak loads (e.g. in seats and office swivel chairs).



Left: Spring blocking BLOC-O-LIFT® gas spring

Right: Rigid blocking BLOC-O-LIFT® gas spring with separating piston for position-independent installation

Standard Series Program			
Piston rod diameter D1 (mm)	Pressure tube outside diameter D2 (mm)	Extension force (N)	Max. stroke (mm)
8	28	200 - 1000	100
10	28	200 - 1500	250



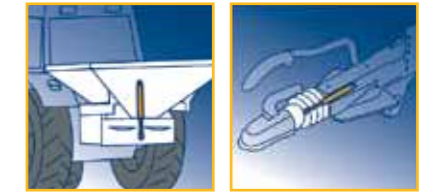
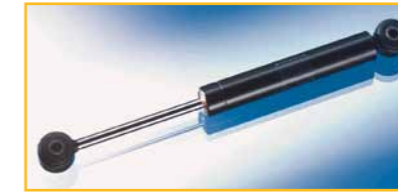
Characteristics and benefits

- ▶ Rigid or spring blocking in the extension or compression direction. Optionally, a position-independent variant is available
- ▶ Also available with short release travel of only 1 mm (normally 2.5 mm) for extremely light operation
- ▶ Continuous release is also available on request (e.g. for rocking the backrest of swivel chairs)

Dampers and STAB-O-SHOC®

Hydraulic dampening of vibrations

Dampers are needed to positively influence the nature of movements and vibrations. They are designed to match the particular application. Oil-hydraulic dampers consist of a pressure tube, a piston rod with piston system and a piston rod connection fitting. The movement of the piston presses the filling medium (oil) through suitably dimensioned bores into the piston, thus producing the desired damping force.



- ▶ Defined linear, progressive or degressive damping force characteristic for optimal results
- ▶ Variable damping rate e.g. for steering dampers and driver seat dampers
- ▶ Electrically adjustable dampers
- ▶ Several connection variants for easy installation

Characteristics and benefits

- ▶ Compact dimensions with maximum reliability and durability
- ▶ Suited for operating temperatures between -40°C and +130°C

Product variants

- ▶ Vibration dampening only at specific frequencies (frequency-dependent dampening) upon request

- ▶ Dampers are designed to optimally match the particular application
- ▶ For position-dependent or position-independent installation
- ▶ Dampers with or without extension force
- ▶ With damping forces in one direction or in the extension and compression direction

Instructions for the design of gas springs

Calculating the installation of a gas spring

The STABILUS installation design proposal software selects and designs the optimal gas spring for a specific application. For this, the following application details, e.g. a flap, are needed:

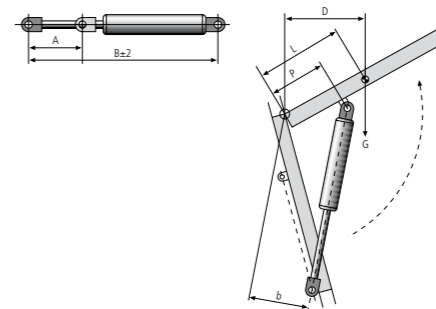
- ▶ dimensions and weight
- ▶ opening angle to be achieved
- ▶ attachment points for the gas springs

From this data the following is derived:

- ▶ the stroke A [mm]
- ▶ the extended length B [mm]
- ▶ the extension force F 1 [N]
- ▶ and the type of connection

In a subsequent step, the desired extension and damping characteristic can be determined.

To make your own rough estimate and to select the appropriate gas spring from our standard product range, you can use the following approximation formula and application sketch.



Determining the extension force F1 [N] at 20°C

$$F1 = \frac{G \times D}{b \times n} \times 13 \text{ [N]}$$

- G = weight of flap in kg
- L = distance from centre of gravity to pivot point in mm.
- b = effective lever arm of gas spring in mm, flap open.
- 13 = conversion factor kg-N + safety margin
- P = flap attachment (suggest approx. 2/3 L)
- n = number of gas springs (standard: n = 2)
- D = effective lever arm of gravity in mm, flap open



- Production
- Sales Office

Worldwide

Australia
STABILUS Pty. Ltd.
 65 Redwood Drive
 Dingley, VIC 3172
Australia
 ☎ ++61-3-9552-1400
 📠 ++61-3-9552-1499
 📧 info@au.stabilus.com

Brasil
STABILUS Ltda.
 Av. Pres. Tancredo
 de Almeida Neves, km 1,2
 CEP 37.504-066 Itajubá (MG)
Brasil
 ☎ ++55-35-3629-5000
 📠 ++55-35-3629-5005
 📧 info@stabilus.com.br

China
STABILUS (JiangSu) Ltd.
 No. 8, Long Xiang Road
 Wujin High-Tech Industrial Zone
 Wujin District
 Changzhou City, 213164
 JiangSu Province,
 PR China
 ☎ ++86-519-8662-3500
 📠 ++86-519-8662-3550
 📧 info@cn.stabilus.com

China
STABILUS Sales Office Shanghai
 88 ke Yuan Road,
 Room N° 309, 3rd Floor
 Zhiang Jiang Hi-Tech Park
 Pudong, Shanghai 201203
 PR China
 ☎ ++86-21-2898-6500
 📠 ++86-21-2898-6510
 📧 info@cn.stabilus.com

Deutschland
STABILUS GmbH
 Wallersheimer Weg 100
 56070 Koblenz
Germany
 ☎ ++49-261-8900-0
 📠 ++49-261-8900-204
 📧 info@de.stabilus.com

España
STABILUS GmbH Oficina de representación España
 Edificio Arteaga
 TXORIERRI ETORBIDEA,
 9 - 3ª planta (oficina 303)
 48160 Derio (Vizcaya)
España
 ☎ ++34-94-455-4170
 📠 ++34-94-455-4183
 📧 info@es.stabilus.com

France
STABILUS France Sarl
 Le Technoparc / L'Espace Média
 3, rue Gustave Eiffel
 78306 POISSY CEDEX
France
 ☎ ++33-139-226-494
 📠 ++33-139-226-496
 📧 info@fr.stabilus.com

Italia
STABILUS GmbH Ufficio Italia
 Via Francesco Giacomo Bona, 1
 10064 Pinerolo, Italy
 ☎ ++39-0121-300-711
 📠 ++39-0121-202-161
 📧 info@it.stabilus.com

Japan
STABILUS Japan Corporation
 Toshin 24 Shin-Yokohama, Bldg
 B-8F
 2-3-8 Shin-Yokohama, Kohoku-ku
 222-0033 Yokohama, Kanagawa
Japan
 ☎ ++81-45-471-2970
 📠 ++81-45-471-2989
 📧 info@jp.stabilus.com

Korea
STABILUS Co. Ltd. Sales Office
 3F, Woogang Bldg., 402-3
 Yuljeon-dong, Changan-gu
 Suwon-si, Gyeonggi-do
Korea / Zip Code 440-827
 ☎ ++82-31-298-1743
 📠 ++82-31-298-0742
 📧 info@kr.stabilus.com

México
STABILUS S.A. de C.V.
 Industria Metalúrgica No. 1010
 Parque Industrial Ramos Arizpe
 C.P. 25900 Ramos Arizpe, Coahuila
México
 ☎ ++52-844-411-0707
 📠 ++52-844-411-0706
 📧 info@mx.stabilus.com

New Zealand
STABILUS Limited
 75 Ellice Rd. Glenfield
 PO Box 101023 NSMC
Auckland
New Zealand
 ☎ ++64-9-444-5388
 📠 ++64-9-444-5386
 📧 info@stabilus.co.nz

Romania
STABILUS S.R.L. Romania
 km 5+900
 (soseaua Brasov-Harman)
 RO-507190 Sanpetru,
 Brasov Romania
 ☎ ++40-268-309-100
 📠 ++40-268-309-170
 📧 info@ro.stabilus.com

Singapore
STABILUS Singapore Sales Office
 c/o ZF Southeast Asia Pte. Ltd.
 11 Tuas Drive 1
 Singapore 638678
 ☎ ++65-642-48726
 📠 ++65-642-48788
 📧 info@sg.stabilus.com

United Kingdom
STABILUS Sales Office
 Unit 4, Canada Close
 Banbury, Oxon. OX16 2RT
England
 ☎ ++44-12-95-700-100
 📠 ++44-12-95-700-106
 📧 info@uk.stabilus.com

USA
STABILUS Inc.
 1201 Tulip Drive
 Gastonia NC 28052 - 1898
USA
 ☎ ++1-704-865-7444
 📠 ++1-704-865-7781
 📧 info@us.stabilus.com

USA
STABILUS Detroit
 Sales Office Automotive
 36225 Mound Road
 Sterling Heights, MI 48310- 4739
USA
 ☎ ++1-586-977-2950
 📠 ++1-586-446-3920
 📧 info@us.stabilus.com

USA
STABILUS Chicago
 Sales Office Industrial
 919 N. Plum Grove Road, Suite G
 Schaumburg IL 60173, USA
 ☎ ++1-847-517-2980
 📠 ++1-847-517-2987
 📧 info@us.stabilus.com