

# STAB-O-MAT / STAB-O-BLOC ID

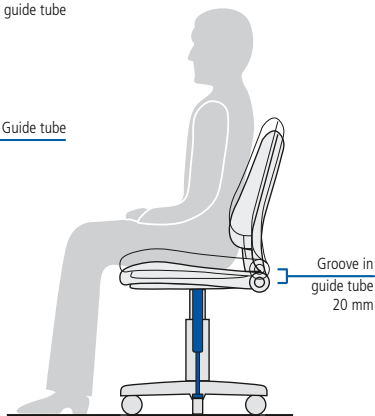
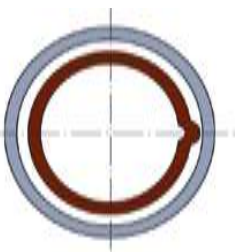
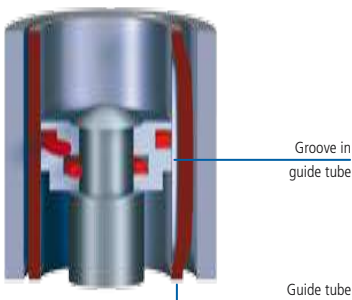
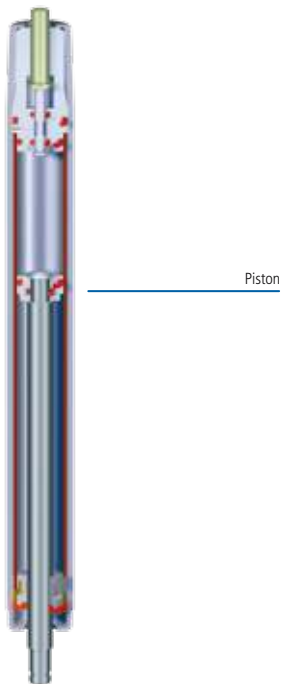
## | the column with integrated end position cushioning

An optimization of the spring characteristics in the lowest seat position can be achieved with the „integrated end position cushioning.“

The highly progressive force increase of the locked gas spring in the compressed position is improved due to a groove in the guide cylinder. Thus the swivel chair user feels the comfortable spring characteristics of the special end position cushion.

### Advantages:

- improved spring properties in the lowest seat position
- attractive price



Tube cross-section

Spring function at lowest seat position ca. 20 mm